

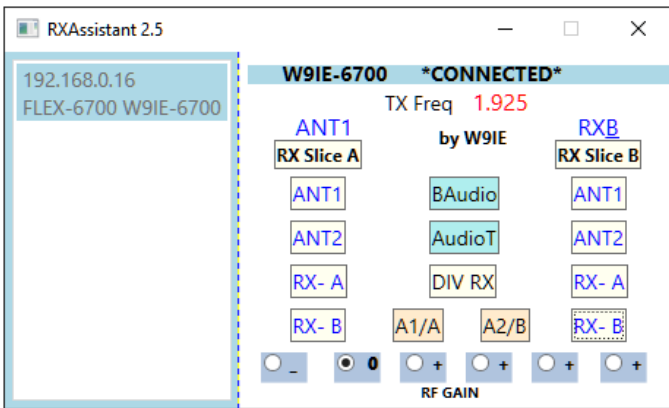
RXAssistant Installation Notes and Considerations:

RXAssistant is a program intended to Add Receive Antenna Assistance Option Selection

to any of the FlexRadio 6XXX Radios with SmartSDR versions of 2.6.1 or greater or any 3.x version.

It provides quick Point and Click Selection, that offsets Touch Screen Fumbling and some MENU selections on the Maestro and also aids the SmartSDR PC Screen. IE: The name RXAssistant

1. **Download the RXAssistantSetup-2.5.zip** file from the W9AZ.COM web site.
2. Once downloaded right click on the **RXAssistantSetup-2.5.zip** file and select **Extract All**.
3. **Open the RXAssistantSetup-2.5.exe** file in the folder you down loaded it to and go through normal Windows program installation steps as you would for any other Software Install. No need to uninstall a previous version of RXAssistant.
4. When you start the RXAssistant program you will see your Radio IP, Model, and Nickname in the Left Panel.
If you have more than one Flex Radio on your local network they will all be shown there.
The selected Flex Radio "NickName" is show on the ***CONNECTED*** line as a reminder of the Radio you are connected to.
Should you want to connect to a different Radio on your network you must End the Program and then Re Run.



Note: This program may be run from multiple computers on the local network without SDR installed on those computers but again the Radio must be running on the local network.

YOU will be prompted to DOUBLE CLICK ON THE IP ADDRESS for the program to CONNECT and RUN.

5. Receive Antenna Options are available for each Receive Slice Running. (*i.e. A and B*) Program will run with either Receive Slice A and/or B on a Maestro. Program will run with either Receive Slice A and/or B on SmartSDR on a PC. Program will also run with the Maestro running in Smart Control **but is not supported if Running Multi Client where both SDR and Maestro are Active.**

6. The **A1/A** and **A2/B** Buttons each are a toggle that perform with slight differences between SO1R and SO2R modes.

so1R * With **ONE Pan Adapter** and **ONE slice**, all four antennas are available by **clicking ANT buttons** or with the **Hot Keys**.

With **ONE Pan Adapter** and **TWO Slices**, BOTH slices will show the same selected antenna in each slice by **clicking** or **Hot Keys**.
ANT1, ANT2, RX-A and RX-B are clickable and work the same as do the A1/A and A2/B described above.

Hot Keys have been added to perform the functions of A1/A and A2/B these keys are " [" and "]" respectively.

so2R With **TWO Pan Adapters** and **ONE Slice open in each Pan Adapter**.

* The clickable **A1/A** button or the " [" key will change the Antenna on **Slice A** from **Ant1 to RXA** and **back** as toggled.

The clickable **A2/B** button or the "]" key will change the Antenna on **Slice B** from **Ant2 to RXB** and **Back** as toggled.

In the app GUI **ANY** of the four antennas ANT1, ANT2, RX-A and RX-B can be selected by clicking the desired antenna button.

When the Hot Keys are used the program will NOT take FOCUS from any other running program since it requires none itself.

The RXAssistant Program can even be minimized to save Screen space and Hot Keys will still function as stated above.

7. **"BAudio"** a Button to toggle Binaural Audio ON and OFF.

"Active Slice" can be selected by clicking the Antenna Heading Box IE: RX Slice A or B.

"AudioT" button is an "Audio Toggle" when clicked it will Flip/Flop the audio between headphones and speakers.

* **"DIV RX"** Diversity Reception selection of Right and Left Antenna's. Only those authorized by the Radio can be selected but all options are available for Slice A and/or Slice B. Diversity is actually only optimized by the use of Headphones.

"RF Gain" options are available for change at the bottom of the screen. These are modified by the actual db Gain values for your particular 6xxx Radio model as they do differ. This also applies separately to each active slice.

8. Nothing is modified in the Flex 6XXX radio outside of those options that you could select on the Maestro or SmartSDR screen yourself. In addition should you want to remove the program from your system, use the Standard Windows UnInstall Feature.

Questions or Comments can be sent to myself at kenbuser@gmail.com **Ken W9IE**

* **NOTE: These operations can still be limited by your radio model capabilities.**